

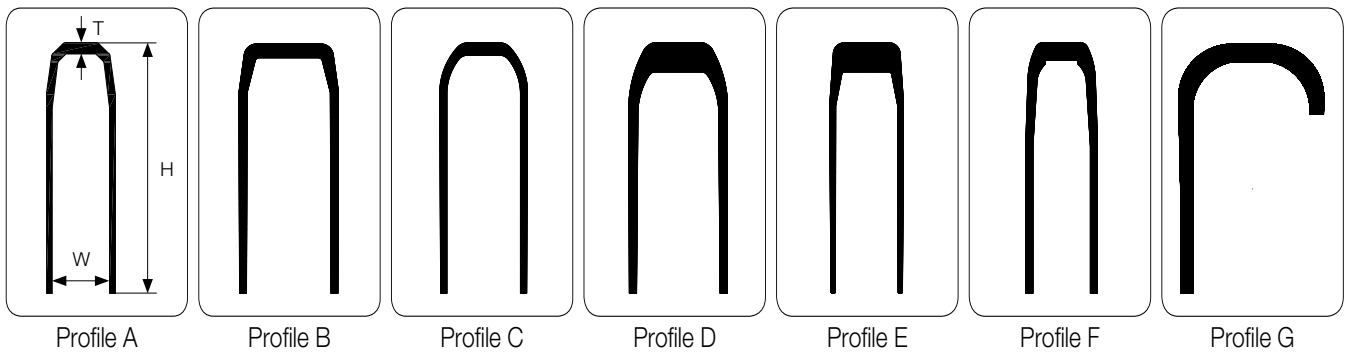


**CONTENT**

<b>FRONT FORKS.....</b>	<b>196</b>
Front forks - aluminium .....	196
Front forks - steel .....	198
Front forks - plastic .....	199
<b>BEARING HOUSINGS.....</b>	<b>200</b>
Bearing housings.....	200
Parts for bearing housings .....	201

# FRONT FORKS

## Front forks - aluminium



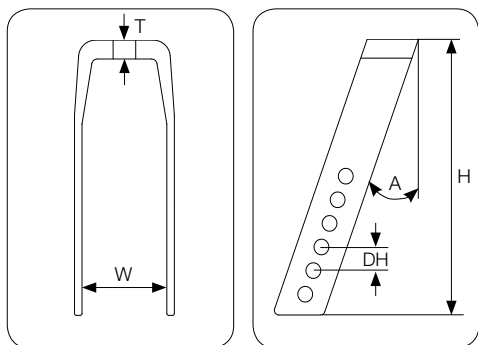
### Front fork profile extrusions

Profile	Specifications	Inner width (W) mm	Height (H) mm	Thickness (T) mm	Part. no. profile
A	39 mm front fork profile. Untreated aluminium	39	170	8	C-657001
A	95 mm front fork profile. Untreated aluminium	95	170	15	C-657011
B	45 mm front fork profile. Untreated aluminium	45	180	10	C-657002
B	100 mm front fork profile. Untreated aluminium	100	185	11	C-657007
B	85 mm front fork profile. Untreated aluminium	85	180	11	C-657009
B	60 mm front fork profile. Untreated aluminium	60	180	10	C-657003
B	60 mm front fork profile. Untreated aluminium	60	146	10	C-657008
C	45 mm front fork profile. Untreated aluminium	45	180	10	C-657004
C	53 mm front fork profile. Untreated aluminium	53	180	9	C-657012
<b>NEW</b> D	53 mm front fork profile. Untreated aluminium	53	180	21	C-89264W
D	60 mm front fork profile. Untreated aluminium	60	180	21	C-657014
E	45 mm front fork profile. Untreated aluminium	45	180	21	C-657005
F	39 mm front fork profile. Untreated aluminium	39	170	12	C-657013
<b>NEW</b> G	Monoleg front fork profile. Untreated aluminium	83	177	12,5	C-657024



- » Extruded aluminium profiles
- » Strong hardened aluminium
- » Other dimensions on request
- » We also offer machined front forks after our customer's design

# FRONT FORKS



## Front forks - aluminium

- » Extruded aluminium profiles
- » Strong hardened aluminium
- » ø8,2 mm holes for wheel fitting
- » Other dimensions on request

Profile	Inner width W (mm)	Height H (mm)	Thickness T (mm)	Angle A (degrees)	No. of side holes	Dist. betw. side holes DH (mm)	Weight (g)	Part. no. ø12 silver	Part. no. ø12 black	Part. no. ø14 black
A	39	65	8	24	1	-	50	-	653927	653928
A	39	92	8	24	2	12.5	65	-	653929	653930
A	39	120	8	20	4	12.5	85	-	653931	653932
A	39	146	8	20	4	12.5	110	-	653933	653934
A	39	170	8	16	5	12.5	115	-	653905	653911
B	45	92	10	24	2	12.5	75	-	654573	654574
B	45	120	10	20	4	12.5	100	-	654575	654576
B	45	146	10	20	6	12.5	130	-	654504	654522
B	45	180	10	16	5	12.5	150	654515	654516	654523
B	60	120	10	20	4	12.5	130	656074	656075	656076
B	60	146	10	20	4	12.5	165	656077	656078	656079
B	60	180	10	16	5	12.5	170	656067	656068	656069
C	53	160	9	20	5	12.5	120	-	-	655304
C	53	180	9	20	5	12.5	150	655301	655302	-

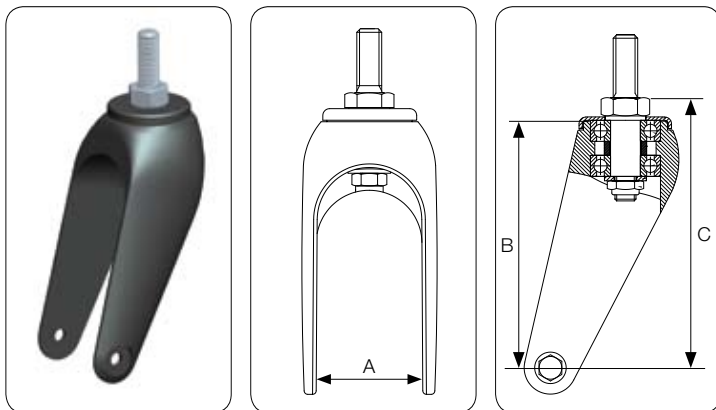


## Aluminium front forks with bearings and axle tap

- » Available with M12 x 1.75 or M14 x 2 forged axle tap
- » Max wheel diameter is 200mm
- » Other lengths on request

Profile	Inner width W (mm)	Height H (mm)	Top thickness T (mm)	Angle A (degrees)	No. side holes	Dist. between side holes DH (mm)	Thread	Weight (g)	Part. no. Black
E	45	151	21	20	2	12,5	M12	320	654562
E	45	151	21	20	2	12,5	M14	320	654564
D	60	151	21	20	2	12,5	M12	350	656062
D	60	151	21	20	2	12,5	M14	350	656064

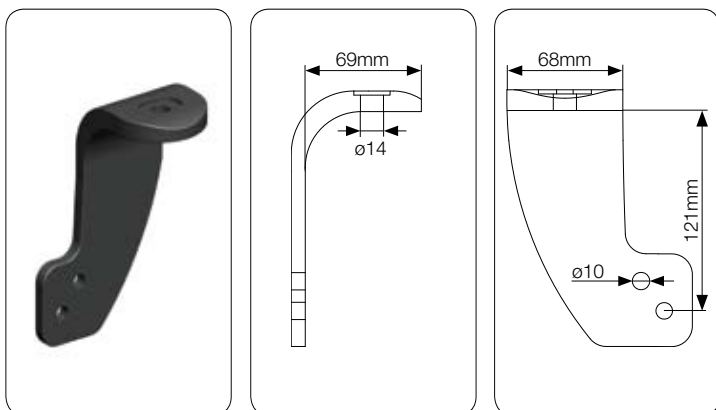
# FRONT FORKS



## Front fork - aluminium

- » Material: Black powder coated aluminium
- » High strength aluminium fork
- » Gravity casted and heat treated
- » Nice textured surface
- » Available in 3 sizes
- » Standard with M14 x2 x 36mm forged threaded pin
- » Available with different fixation types
- » ø8.2mm holes for wheel fitting
- » Front forks excl. axle tap are incl. ø15mm bearings, distance tube and plastic cap

A (mm)	B (mm)	C (mm)	Max. wheel diameter (mm)	Weight incl. axle tap (g)	Part. no. excl. axle tap	Part. no. incl. axle tap
60	151	164	210	730	65801K	658001
60	144	157	200	719	65801L	658006
60	129	142	175	708	65801M	65800L



## Monoleg front fork - aluminium

- » Black powder coated aluminium
- » Various fork fixations possible
- » Available in different Designs
- » Please contact MBL for other details
- » Reference numbers: NB100D + NB100E

## Front fork - steel



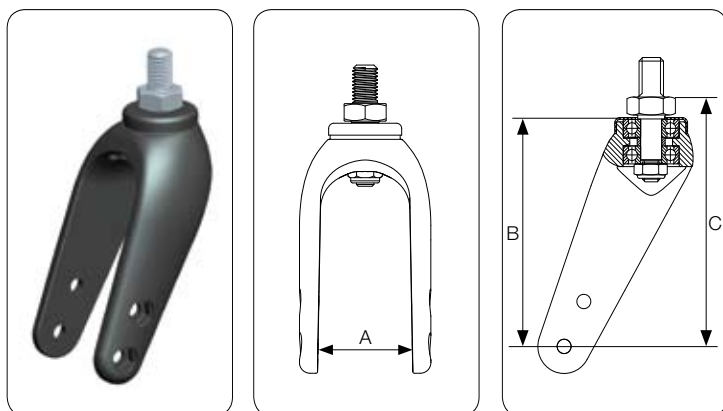
## Front fork - steel

- » ø8.2 mm hole for wheel fitting
- » Axle tap on request

Inner width W (mm)	Height H (mm)	Max. wheel diameter (mm)	Spindle fitting hole (mm)	Weight (g)	Part. no. black
58	110	200	ø12	350	6560A6

# FRONT FORKS

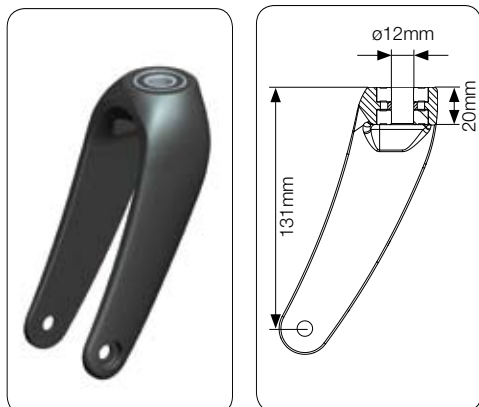
## Front forks - plastic



### Front fork - plastic

- » Material: PA + GF
- » Standard with M14 x 2 x 20 mm forged axle tap
- » ø8.2mm holes for wheel fitting
- » Plastic caps supplied for unused axle holes
- » Frontforks without axle tap are incl. ø12mm bearings, distance tube and plastic cap.

Colour	A (mm)	B (mm)	C (mm)	Max. wheel diameter (mm)	Weight incl. axle tap (g)	Part. no. excl. axle tap	Part. no. incl. axle tap
Black	40	102	114	150	310	654096	654097
Black	45	126	139	200	354	654596	654597
Grey	45	126	139	200	354	65459D	65459E
Black	53	126	139	200	322	655396	655397
Black	60	126	139	200	340	656096	656097



### Front fork for rollators - plastic

- » Material: black PA + GF
- » ø8,2mm holes for wheel fitting

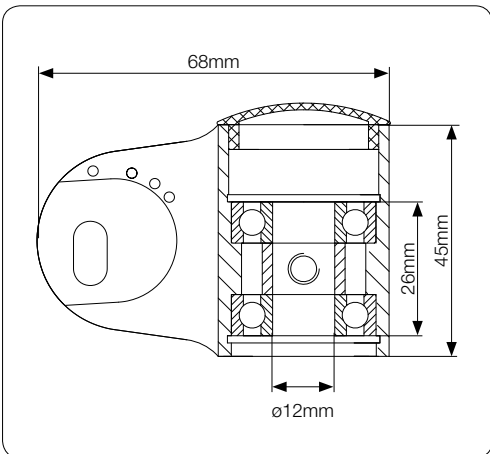
Inner width W (mm)	Height	Max. wheel diameter (mm)	Spindle fitting hole (mm)	Part. no. black
45	131	200	ø12 x 20	ROL11Z

## Bearing housings



### Bearing housing - Type A

- » Black anodized aluminium
- » Angle adjustable bearing housing
- » Easy to adjust +/- 7° range
- » Standard for Ø12 mm fixed axles or Ø12mm quick-release axles
- » Possibility for direction locking



#### Description

Bearing housing for fixed axle (incl. bearings, distance tube, adjusting washer and push button)

**Part no.**  
side A

MBS550-1

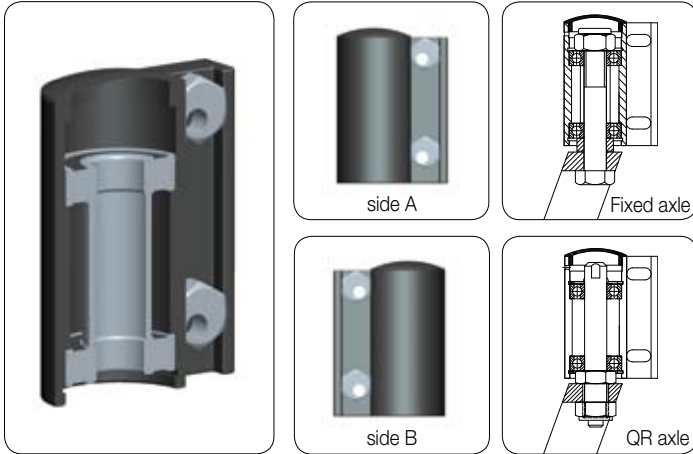
**Part no.**  
side B

MBS551-1

### NEW BEARING HOUSING WITH NEW FEATURES

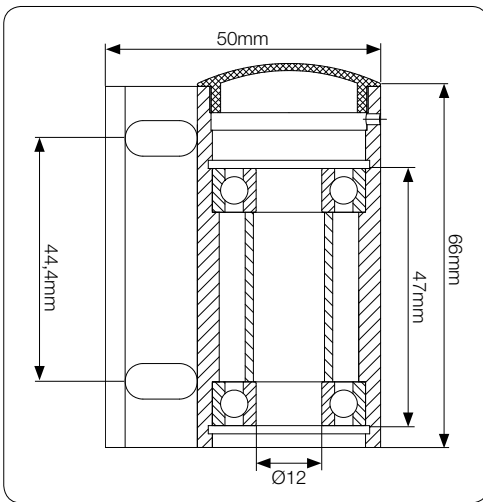
- » Elegant design
- » Angle adjustable
- » Possibility for direction locking

# BEARING HOUSINGS



## Bearing housings - Type B

- » Black anodized aluminium
- » Standard for Ø12 mm fixed axles or Ø12mm quick-release axles
- » Can be adjusted for different mounting angles using eccentric nuts



Description	Part no. side A	Part no. side B
Bearing housings excl. bearings and other components	661301	661302
Bearing housing for fixed axle (incl. bearings, distance tube, eccentric nut and push button)	661351	661352
Bearing housing for QR axle (incl. bearings, eccentric nut and push button)	661353	661354

## Parts for bearing housings



## Two parted mounting clamps for tubes

For tube diameter (mm)	Dimensions (mm)	Fitting holes	Distance between fitting holes (mm)	Part no.
Ø22	L66 x W20 x H40	2 x ø6,2	44,4	663101
Ø25	L66 x W20 x H40	2 x ø6,2	44,4	663102
Ø28,6	L66 x W20 x H40	2 x ø6,2	44,4	673107