

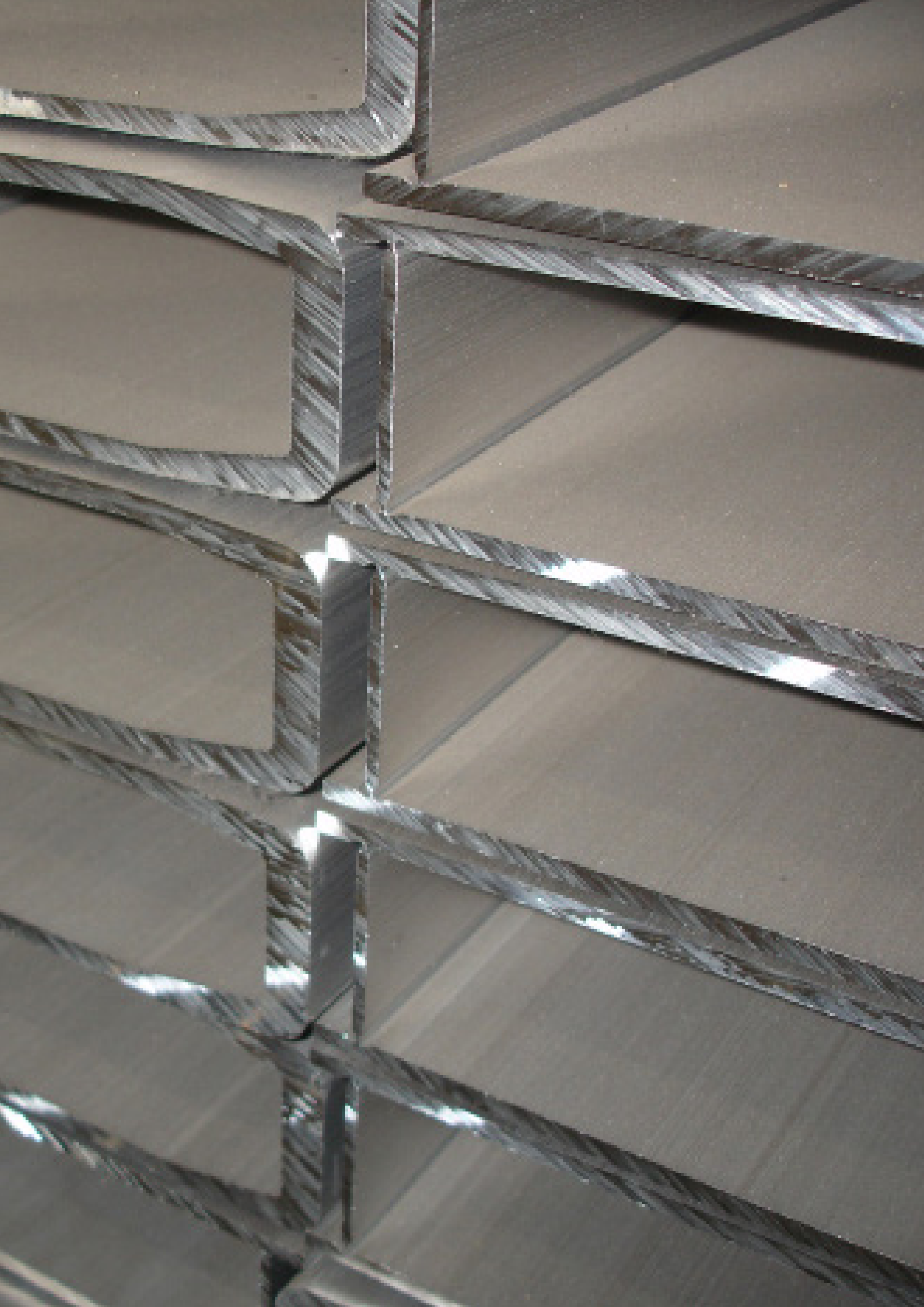
MBL line Front forks & bearing housings



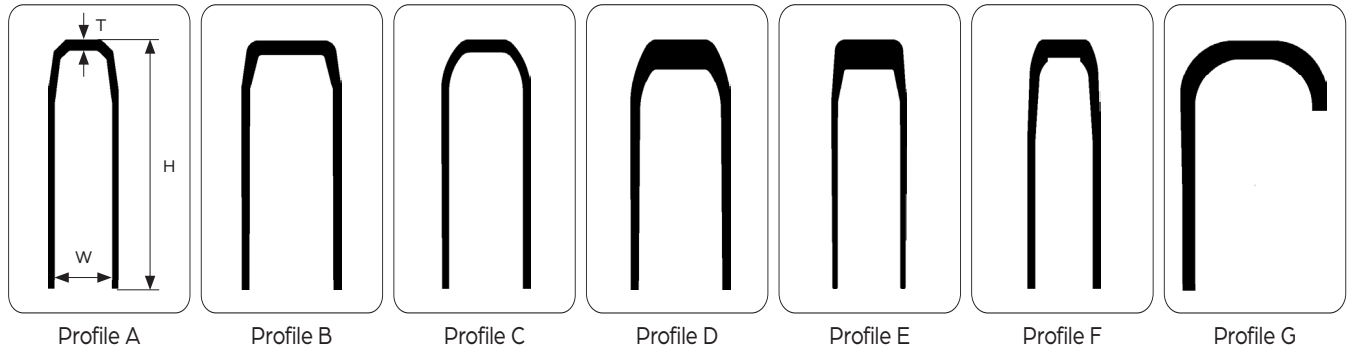
mbL

Front forks & bearing housings

Front forks in aluminium	4
Front forks in plastic	8
Bearing housings	10

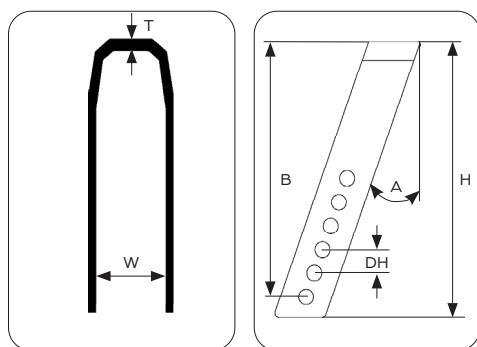


Front forks profiles



Front fork profile extrusions

Profile	Specifications	Inner width (W) mm	Height (H) mm	Thickness (T) mm	Part. no. profile
A	39 mm front fork profile. Untreated aluminium	39	170	8	C-657001
B	45 mm front fork profile. Untreated aluminium	45	180	10	C-657002
B	60 mm front fork profile. Untreated aluminium	60	180	10	C-657003
C	45 mm front fork profile. Untreated aluminium	45	180	10	C-657004
C	53 mm front fork profile. Untreated aluminium	53	180	9	C-657012
D	60 mm front fork profile. Untreated aluminium	60	180	21	C-657014
E	45 mm front fork profile. Untreated aluminium	45	180	21	C-657005
F	39 mm front fork profile. Untreated aluminium	39	170	12	C-657013
G	Monoleg front fork profile. Untreated aluminium	83	177	12,5	C-657024



Front forks in aluminium

Profile A

- » Extruded aluminium profiles
- » Strong hardened aluminium
- » $\varnothing 8,2$ mm holes for wheel fitting
- » Other dimensions on request

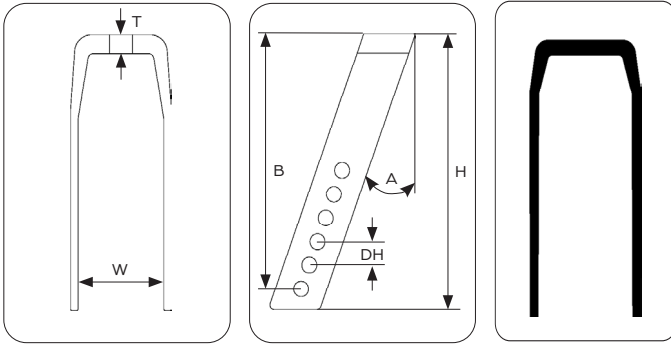
Inner width W (mm)	Height H (mm)	Thickness T (mm)	Angle A (degrees)	B (mm)	No. of side holes	Dist. betw. side holes DH (mm)	Weight (g)	Part. no. $\varnothing 12$ black
39	65	8	24	54	1	-	50	653927
39	92	8	24	81	2	12.5	65	653929
39	120	8	20	109	4	12.5	85	653931
39	170	8	16	159	5	12.5	115	653905

Carbon solutions for rehab industry

**Skilfully engineered.. Delivered fast.
Quality you can trust.**



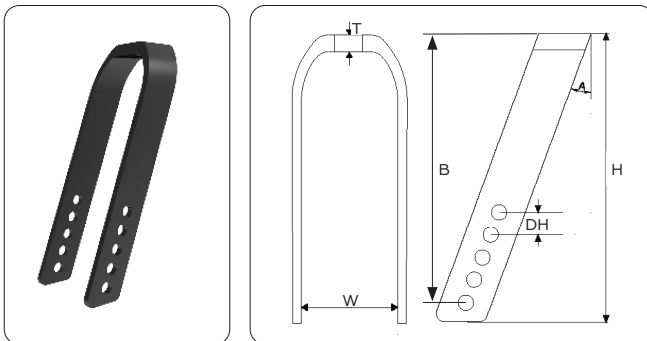
View the video about
our carbon competencies



Profile B

- » Extruded aluminium profiles
- » Strong hardened aluminium
- » $\varnothing 8,2$ mm holes for wheel fitting
- » Other dimensions on request

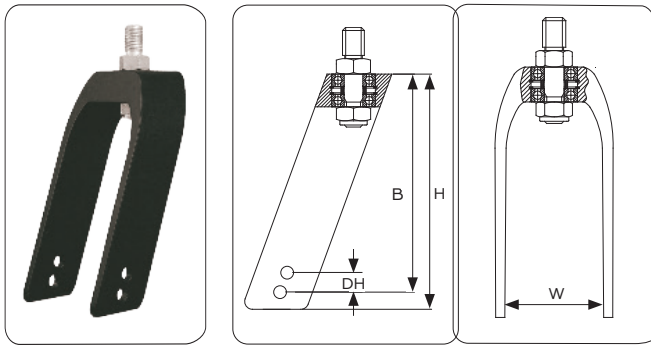
Inner width W (mm)	Height H (mm)	Thickness T (mm)	Angle A (degrees)	B (mm)	No. of side holes	Dist. betw. side holes DH (mm)	Weight (g)	Part. no. $\varnothing 12$ silver	Part. no. $\varnothing 12$ black
45	92	10	24	81	2	12.5	75	-	654573
45	120	10	20	109	4	12.5	100	-	654575
45	146	10	20	135	6	12.5	130	-	654504
45	180	10	16	169	5	12.5	150	654515	654516
60	146	10	20	135	4	12.5	130	656074	-
60	146	10	20	135	4	12.5	165	-	656078
60	180	10	16	169	5	12.5	170	-	656068



Extra long aluminium fork Profile C

- » Max size of wheel: $\varnothing 300$ mm
- » Outer Width: 62 mm
- » Side holes $\varnothing 8,2$ mm

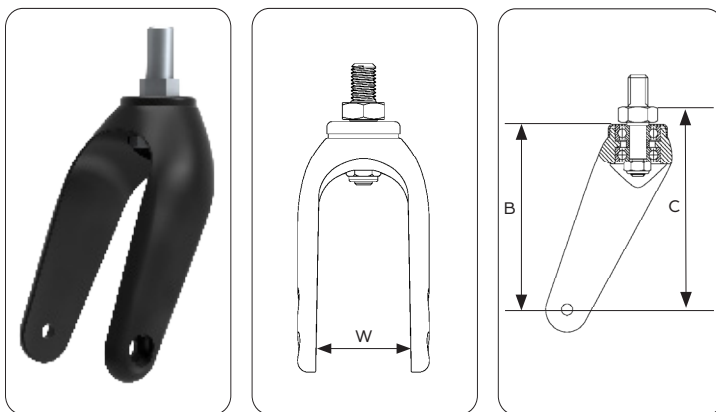
Inner width W (mm)	Height H (mm)	Thickness T (mm)	Angle A (degrees)	B (mm)	No. of side holes	Dist. betw. side holes DH (mm)	Weight (g)	Part. no. $\varnothing 12$ black
45	146	10	20	135	6	12.5	130	654504



Aluminium front forks with bearings and axle tap Profile D

- » Available with M12 x 1.75 or M14 x 2 forged axle tap
- » Max wheel diameter is 200 mm
- » Other lengths on request

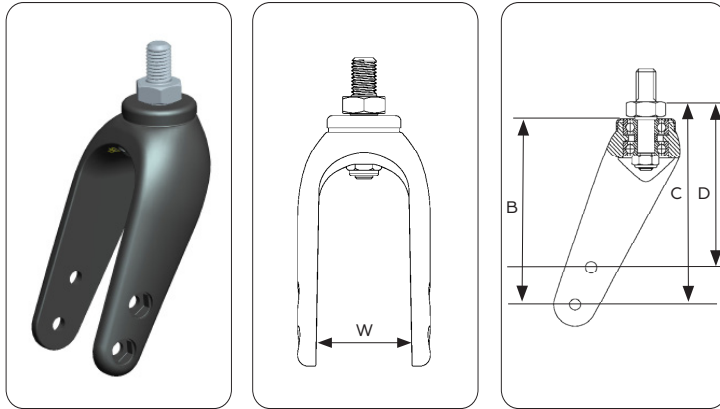
Inner width W (mm)	Height H (mm)	Top thickness T (mm)	Angle A (degrees)	B (mm)	No. side holes	Dist. between side holes DH (mm)	Thread	Weight (g)	Part. no. Black
60	151	21	20	140	2	12,5	M14	350	656064



Front forks in cast aluminium for power chairs

- » Very strong

Inner width W (mm)	Height B (mm)	C (mm)	Max. wheel diameter (mm)	Weight incl. axle tap (g)	Part. no. excl. axle tap	Part. no. incl. axle tap
60	130	140	170	-	-	65801R



Front forks in plastic

- » Standard with M14 x 2 x 20 mm forged axle tap
- » Side holes:
 - 2 x $\varnothing 8$ mm (for inner width: 45 mm and 60 mm)
 - 1 x $\varnothing 8$ mm (for inner width: 40 mm)
- » Plastic caps supplied for unused axle holes
- » Front forks without axle tap are incl. $\varnothing 12$ mm bearings, distance tube and plastic cap.
- » Material: PA + GF

Inner width W (mm)	B (mm)	C (mm)	D (mm)	Max. wheel diameter	Weight incl. axle tap (g)	Part. no. excl. axle tap	Part. no. incl. axle tap
40	102	114	-	150	310	654096	654097
45	126	139	114	200	354	654596	-
60	126	139	114	200	340	656096	656097

Sign up to our
newsletter at
mbl.dk to stay
updated!

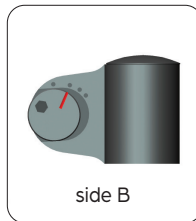
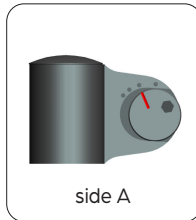
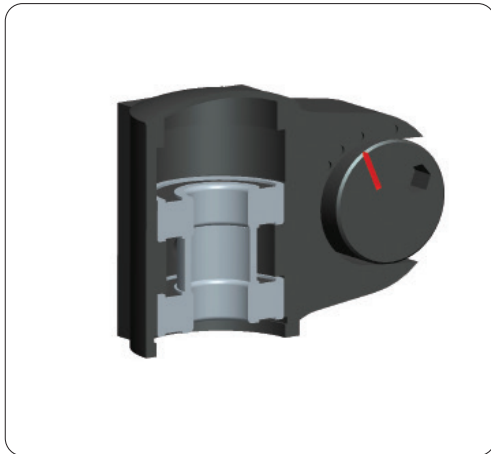




**Check out our Omobic range
of front forks with suspension
in the Omobic catalogue!**



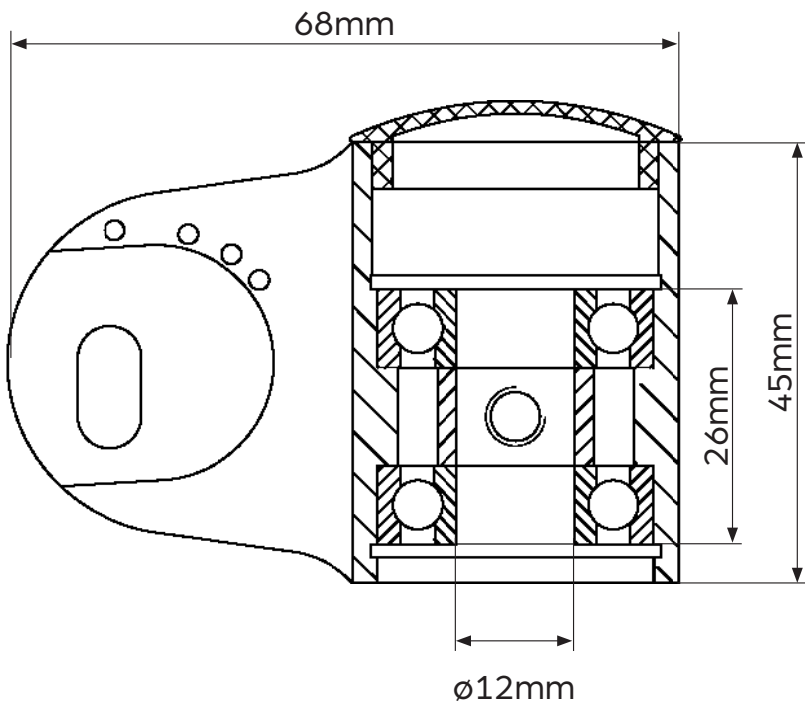
Bearing housings

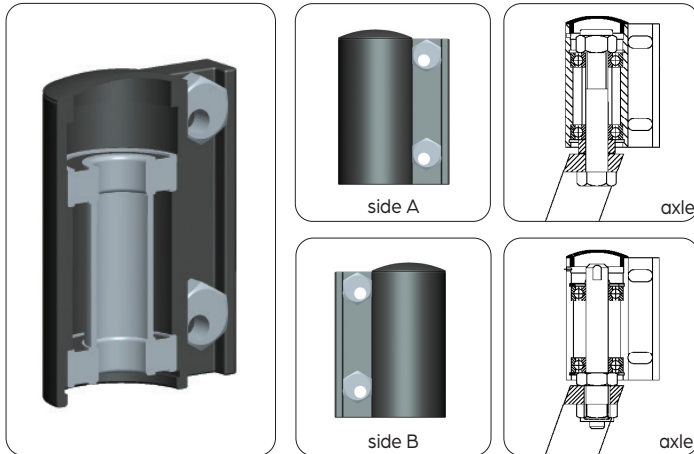


Bearing housing – Type A

- » Black anodized aluminium
- » Angle adjustable bearing housing
- » Possibility for direction locking
- » Easy to adjust +/- 7° range
- » Standard for Ø12 mm fixed axles or Ø12mm quick-release axles

Description	Part no. side A	Part no. side B
Bearing housing for fixed axle (incl.bearings, distance tube, adjusting washer and push button)	MBS550-1	MBS551-1

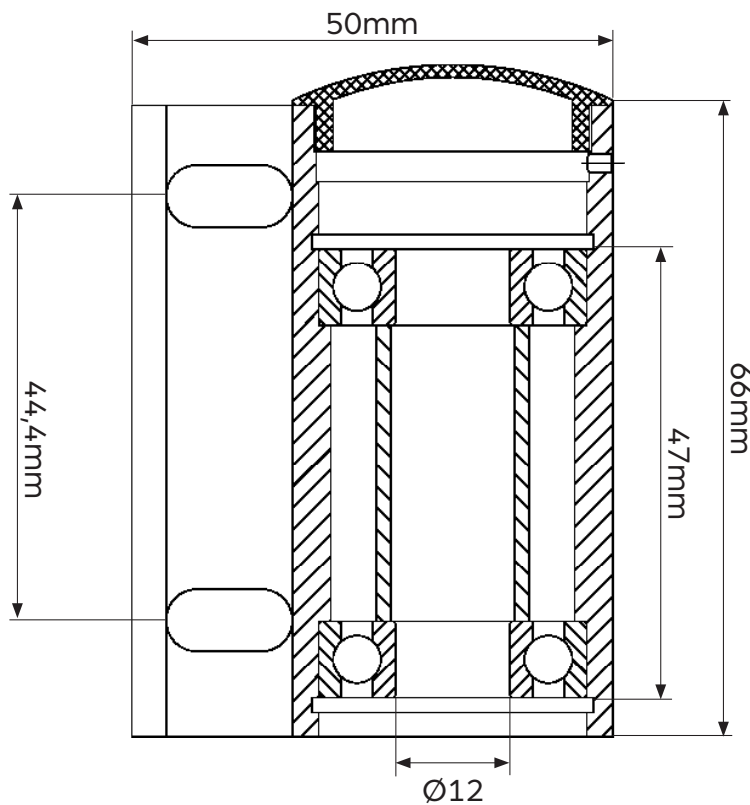




Bearing housings – Type B

- » Black anodized aluminium
- » Standard for Ø12 mm fixed axles or Ø12mm quick-release axles
- » Can be adjusted for different mounting angles using eccentric nuts

Description	Part no. side A	Part no. side B
Bearing housings excl. bearings and other components	661301	661302
Bearing housing for fixed axle (incl. bearings, distance tube, eccentric nut and push button)	661351	661352
Bearing housing for QR axle (incl. bearings, eccentric nut and push button)	661353	661354



Would you like to see and learn more?

MBL website



Our videos on YouTube



Check our Facebook



Connect with us on LinkedIn



Connect with us on WeChat



Other product categories:

Front wheels 4"-8"



Rear wheels 12"-26"



Tyres, PU tyres, tubes , infills & tyres
w insert for manual wheelchairs 6"-26"



Pushrims & pushrim covers



QR axles and bushings



Hand brakes, brake handles & release handles



Other wheelchair components & accessories



Foam parts, supports & textiles



Tyres, tubes and tyres with infills
for power wheelchairs



MBL Denmark

MBL a/s

Glarmestervej 18 B, St. Th.

8600 Silkeborg

CVR: 12825242

contact@mbl.dk

MBL Poland

MBL Poland Sp. z o.o.

Sulejowska 45d

97-300 Piotrkow Trybunalski

VAT No: 7710008003

Tel: +48 44 73 24 100

contact@mbl.pl

MBL China

MBL (Xiamen) Co. Ltd.

No.289 Wengjiao Road Xinyang

Industrial District Haicang

361022 Xiamen

Tel: +86 592 5961 896

contact@mbl.com.cn

March 2026