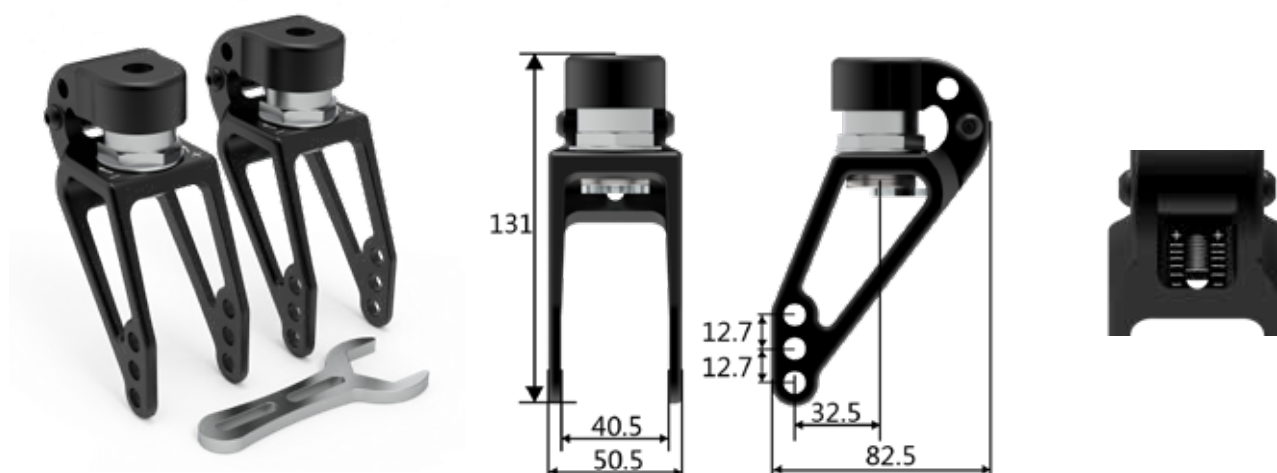


JAZZ – Shock absorbing front fork with very easy adjustment of the level of suspension

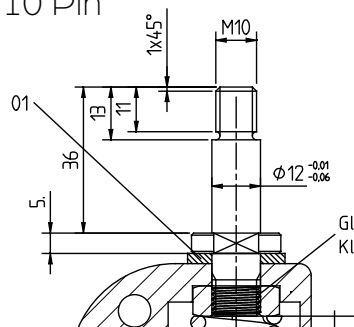
We offer a unique solution if you wish your front castors to absorb shocks and reduce rolling resistance when driving on uneven surfaces. On the JAZZ fork it is very easy to adjust the level of suspension to fit the users weight and the terrain which makes it very user-friendly.

- For wheel sizes 3" – 6"
- Can be installed on all manual wheelchairs with bearing housings fitted on the frame



Description	Weight g	Part. no.
SINGLE fork assembled with axle D12/ M10, without assembly wrench	-	6540A1
SINGLE fork assembled with axle D12/ M10, with assembly wrench	-	6580A1
SET of two forks assembled with axle D12/M12, with one assembly wrench	-	6580A2
SET of two forks without axle, with one assembly wrench	-	65801U
SINGLE fork without axle	307	65455S
Assembly wrench	-	65454Y

M10 Pin



M12 Pin

