
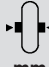





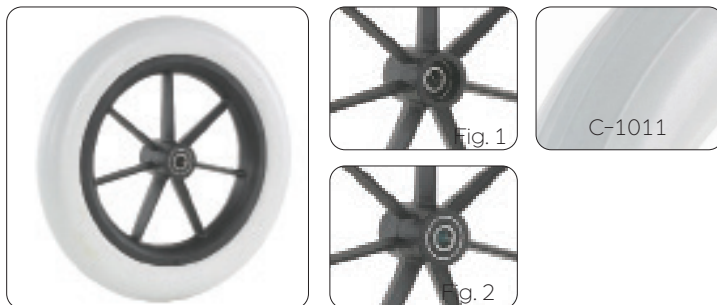
# Transfer wheels 12"-16"



- » Fixed bolt or QR axle is available on request for fig.1
- » Please see product group 4 for other types of tyres






12½" x 2¼" wheel with two options for grey pneumatic tyre with tube or Flexel

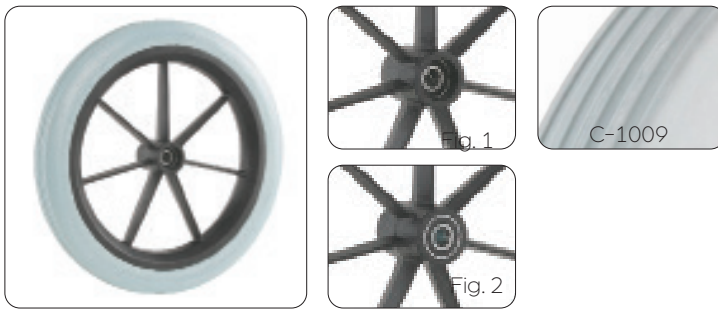
Tyre pattern	Figure	Description	 mm	 mm	 mm	 mm	 kg	Part no. pneumatic	Part no. Flexel®
IA 2601	1	Complete wheel with. off set hub	Ø305	37/48	ø12	47	50	161202	171202
IA 2601	2	Complete wheel with symmetric hub	Ø305	55	ø12	47	50	161204	171204
IA 2603	1	Complete wheel with. off set hub	Ø310	37/48	ø12	45	50	161206	171206
IA 2603	2	Complete wheel with symmetric hub	Ø310	55	ø12	45	50	161208	171208



- » Wheel with off-set hub is available with fixed bolt or QR axle. Please state on order.
- » Black tyres available on request

12" wheel with grey or black polyurethane tyre

Figure	Description	 mm	 mm	 mm	 mm	 kg	Part no. Grey	Part no. Black
1	Complete wheel with off-set hub	Ø300	37/48	ø12	45	50	151202	151202B



- » Wheel with off-set hub is available with fixed bolt or QR axle. Please state on order.
- » Black tyres available on request

### 12" lighthweight wheel with grey or black polyurethane tyre

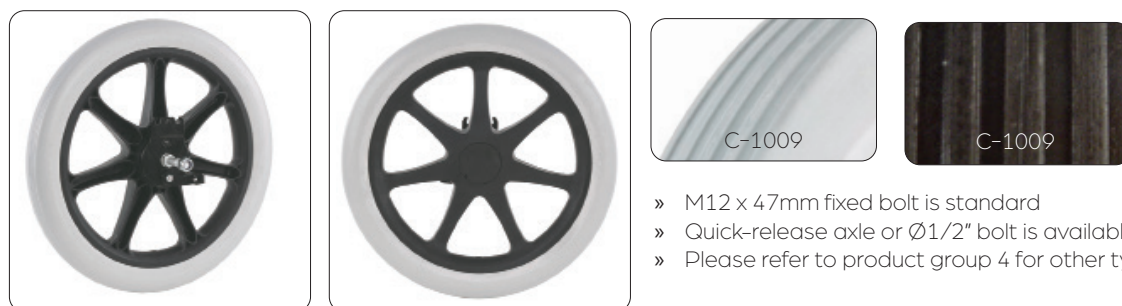
Figure	Description	mm	mm	mm	mm	kg	Part no. Grey	Part no. Black
1	Complete wheel with off-set hub excl. bolt	Ø315	37/48	Ø12	39	50	151233	On request



- » Quick-release axle or Ø1/2" bolt is available on request
- » M12 x 47mm fixed bolt is standard
- » Pneumatic version on request

### 12" drum brake wheel with drumbrak, M12 fixed bolt and grey or black low polyurethane tyre

Description	mm	mm	mm	kg	g	Part no. Side A	Part no. Side B
Complete wheels incl. black PU tyre C-1009	Ø315	39	M12	-	75	151267	151268



- » M12 x 47mm fixed bolt is standard
- » Quick-release axle or Ø1/2" bolt is available on request
- » Please refer to product group 4 for other types of tyres

### 16" drum brake wheel with M12 fixed bolt and grey or black polyurethane tyres.

Description	mm	mm	mm	kg	Part no. Side A	Part no. Side B
Complete wheels incl. grey PU tyre C-1009	405	44	M12	75	151653	151654
Complete wheels incl. black PU tyre C-1009	405	44	M12	75	151632	151634