

MBL line Other wheelchair components & accessories



Other wheelchair components & accessories

Back canes	3
Back hinges	4
Antitip system	5
Footrests	7
Accessories for footrests	9
Hand grips and foam covers	10
Clamping levers	12
Trays	13
Spokeguards	14
Various	15

Back canes



Angle adjustable back cane – TYPE 2

- » Stepless angle adjustable range: 23 degrees
- » Starting angle is 85,5 degrees and end angle is 62,5 degrees
- » Release the knob and adjust the angle by lifting up or pushing down
- » Available for different tube diameters and hole positions on request

Description	Reference part. no.
Angle adjustable back cane	72111L

Sign up to our
newsletter at
mbl.dk to stay
updated!



Back hinges



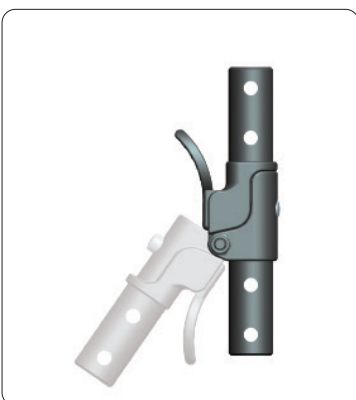
Half foldable back cane hinge

- » Compact hinge for foldable back rests.
- » Produced in high strength casted steel.
- » Easy push the lever and turn upper part downward.
- » Fast change the back height for transportation and storage.
- » Available for different tube diameters and hole patterns on request.
- » Reference item no: 67315JM



Hinge for angle adjustable back rests

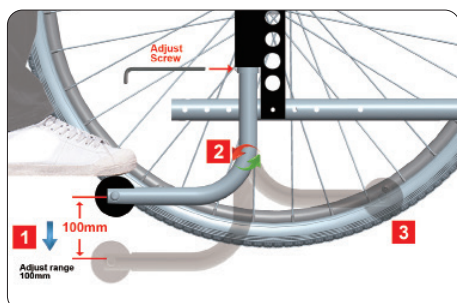
- » Newly designed and patented hinge for angle adjustable back rests.
- » Produced in high strength casted steel.
- » Incremental adjustment. 0°, -13°, -26°. Other angles available on request.
- » Easy and fast to change the angle of the back rest. Push the release button and adjust for the desired angle position. No tools needed.
- » Very rigid and stabile.
- » Available for different tube diameters and hole patterns on request.
- » Reference item no: LS0101



Hinge for half foldable back rests

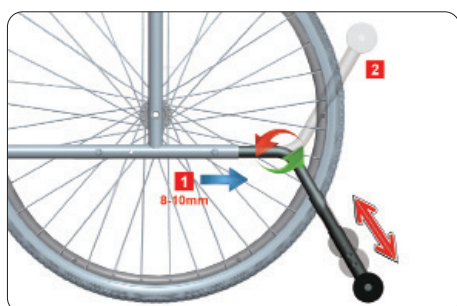
- » Compact hinge for foldable back rests.
- » Produced in high strength casted steel.
- » Available for different tube diameters and hole patterns on request.
- » Reference item no.: 67315J

Antitip system



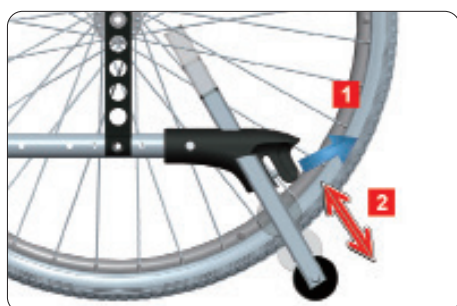
Antitip – type A

- » Operated by foot
- » Can be fitted on most wheelchairs
- » Big adjustment range - stepless
- » Can swing away under the chair
- » Material: aluminum
- » Item reference no. 9311AP



Antitip – type B

- » Operated by hand or foot
- » Can be fitted inside a tube.
- » Can swing upwards when not used
- » Can be adjusted in several steps
- » Material: aluminum or steel
- » Item reference no. for aluminium version: left side MI010ZA, right side MI110ZA
- » Item reference no. for steel version: MI010ZA.



Antitip – type C

- » Hand operated
- » Can be fitted on tubes outer diam. Ø25mm
- » Big adjustment range
- » Material: Aluminum/Plastic
- » Item reference no.: 7212DE

Wheel for antitip systems



						Part no.
47	10	ø6	8/10	-	-	886015

Have you not found it yet?

Then please keep in mind that the products shown in this catalogue are MBL standard products. We also have our Omobic product range for active users.

Furthermore, a large part of our production consists of customized products which are based on MBL or Omobic standard products but developed into a unique solution that meet our customers' specific requirements and need for individual design.

Please feel free to contact us if you are looking for something special.

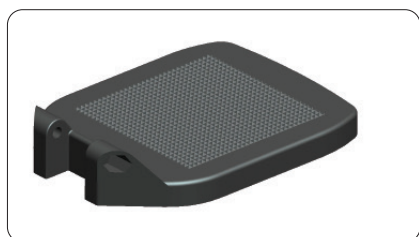
Footrests



Footrest in aluminium

- » Material: Aluminium
- » Incl. holes for heel band holder
- » 360 degree adjustable hinge - toothed system
- » For tubes Ø19-Ø20 mm and Ø24-Ø25 mm
- » Depth adjustable 35 mm

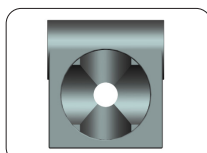
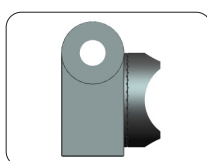
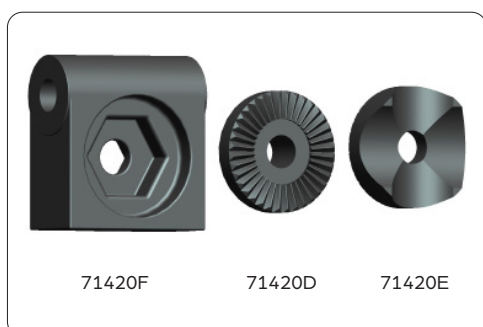
Description	Length mm	Width mm	Part. no. Set of footrests
Set of footrest (right and left), size 40-45 cm	194	120	R02983G



Footrest in plastic for right or left fitting – Type A

- » Material: PA + GF
- » Incl. holes for heel band holder

Description	Length mm	Width mm	Part. no.
Footrest without mounting set	150	160	714070
Footrest without mounting set	160	160	714071
Footrest without mounting set	170	160	714072
Footrest without mounting set	185	160	714073
Footrest without mounting set	200	160	714074
Footrest without mounting set	215	160	714075
Footrest without mounting set	230	160	714076



Toothed hinge set for Type A footrests

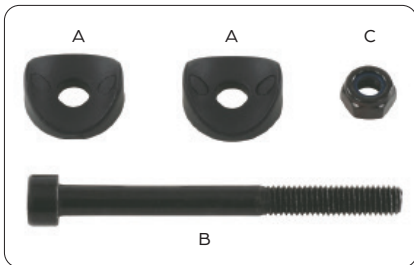
- » Toothed hinges for Type A footrests
- » Enables easy angle adjustment of footrests
- » Very strong and impact proof
- » Fit to Ø20 - Ø25mm tubes
- » Fit to almost all tube shapes



Footrest in plastic for right or left fitting – Type B

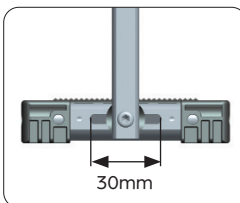
- » Material: PA + GF
- » Incl. holes for heel band holder
- » For Ø19 mm tubes
- » Other sizes can be made on request

Description	Length mm	Width mm	Part. no.
Footrest without mounting set	172	150	71405B
Footrest without mounting set	189	150	71405E
Footrest without mounting set	222	150	71405F



Fitting set for type B footrest

Type	Description	Part. no.
A	Steering washer for Ø19mm tube, black PA + GF	72100N
B	Bolt M6 x 65mm, black galvanized	71900A
C	Lock nut M6, black galvanized	19106C

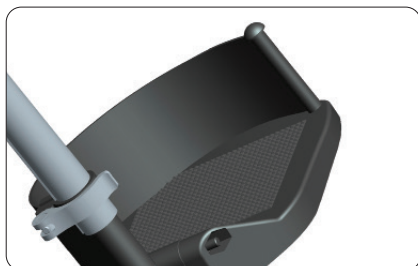


Complete footrest incl. adjustable fitting set but without tube Type C

- » Elegant footrest
- » Angle adjustable hinge-toothed system
- » Depth adjustable
- » Fit all common footrest tubes
- » Material: Black PA + GF
- » Tube is not included in the part no.
- » Incl. holes for heel band holder
- » 4 different sizes

Description	Length mm	Width mm	Part. no.
Footrest for right or left fitting (tube not included)	180	160	71410B
Footrest for right or left fitting (tube not included)	205	160	71410C
Footrest for right or left fitting (tube not included)	230	160	71410D

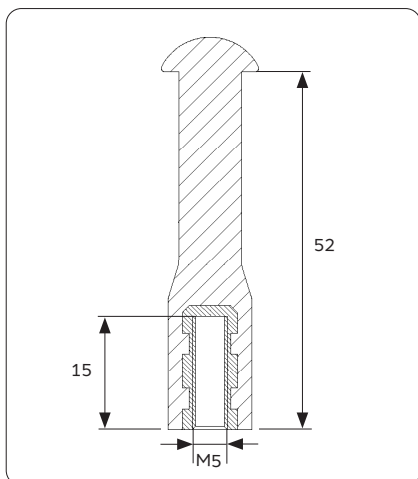
Accessories for footrests



Heel bands

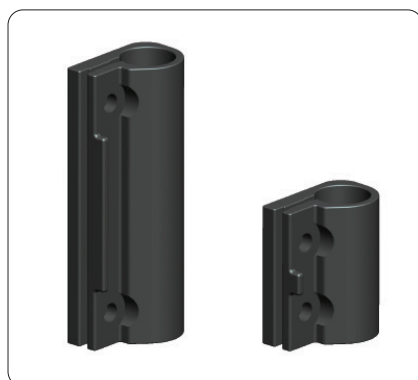
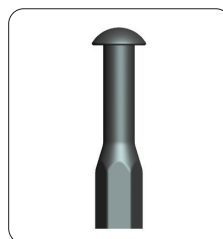
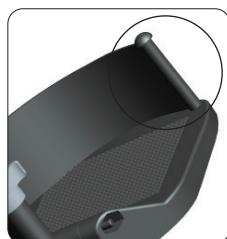
Description	Colour & Material	Part. no.
Heel band 50 mm x 355 mm	Black polyester	MI10BA
Heel band 50 mm x 385mm	Black polyester	MI10BB
Heel band 50 mm x 415mm	Black polyester	MI10BC

» Other lengths are available on request



Holder for heel band

Description	Material	Part. no.
Holder for heel band	PA + GF	71400S
Screw M5 x 16 for heel band holder	Black galvanized steel	19102F



Clamp for footrests

Description	Dimension	Fitting holes	Part. no.
Black anodized aluminium	ø19,2 x 50mm	2 x 6,8mm	714201
Black anodized aluminium	ø19,2 x 100mm	2 x 6,8mm	714202

Hand grips and foam covers



Ribbed hand grips – TYPE 1

For tube diameter	Material	Surface	Length	Part no. black
Ø22	Black rubber	Ribbed	112	732212



Hand grip with holes for ventilation – TYPE 2

For tube diameter	Material	Surface	Length	Part no. black
Ø22	Black rubber	Holes	112mm	721091



Hand grip in rubber – TYPE 3

For tube diameter	Material	Surface	Length	Part no. black
Ø22	Black rubber	Dots	100 mm	HP014H

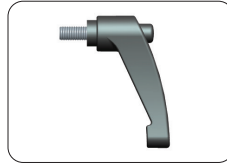
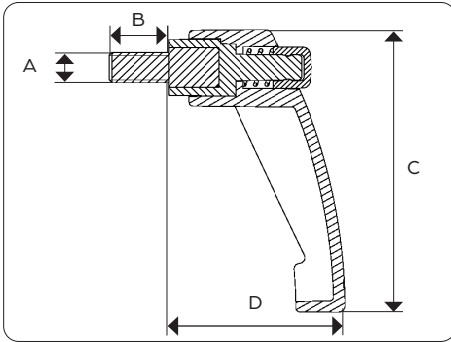
Carbon solutions for rehab industry

**Skilfully engineered. Delivered fast.
Quality you can trust.**



View the video about
our carbon competencies.

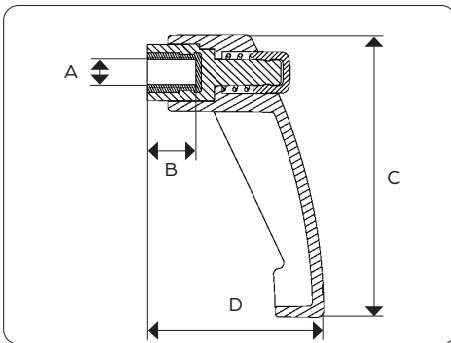
Clamping levers



Clamping levers with external thread

- » Black textured surface
- » Multiple handle positions

Description	A (mm)	B mm	C mm	D mm	MBL Logo	Part no.
Clamping lever external thread M8 x 15,5	M8	15,5	75	47	Yes	671036
Clamping lever external thread M8 x 27	M8	27	75	47	Yes	67101K
Clamping lever external thread M8 x 30	M8	30	75	47	Yes	671038
Clamping lever external thread M6 x 16	M6	16	51	41	Yes	671013
Clamping lever external thread M6 x 16	M6	16	51	41	No	671016

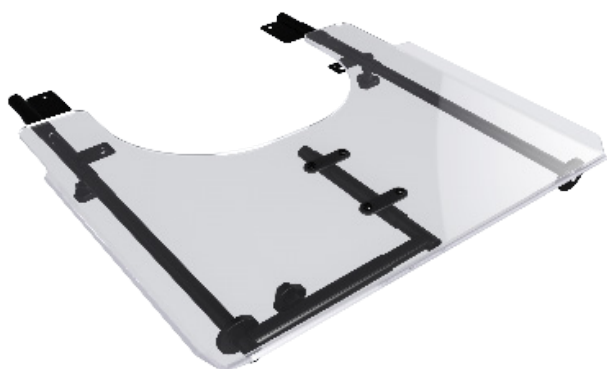


Clamping levers with internal thread

- » Black textured surface
- » Multiple handle positions

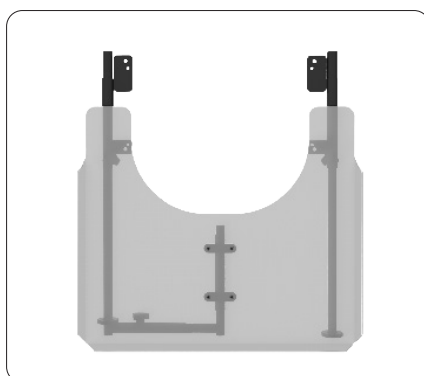
Description	A (mm)	B mm	C mm	D mm	MBL Logo	Part no.
Clamping lever with internal thread M8 x 13	M8	13	75	47	Yes	671037

Trays



Tray in transparent plastic – with or without mounting system

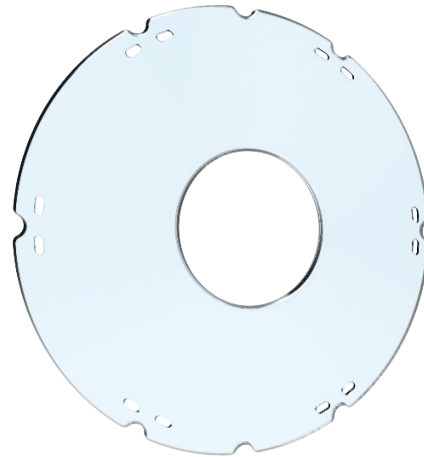
- » Table material: PETG
- » High surface hardness
- » Impact resistant
- » Shatter-proof
- » Mounting system: Black KTL steel
- » Easy adjustment of width



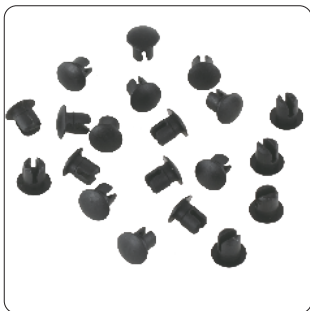
Description	Part no.
Complete tray incl. mounting system for 320–410 mm seat width	721059
Complete tray incl. mounting system for 460–510 mm seat width	72105J

Spokeguards – transparent

- » Material: PETG
- » High transparency
- » High surface hardness
- » Impact resistant
- » Easy mounting system with clips
- » Fits wheels with both splice and anchor-plate pushrim
- » Supplied with 6 clips for Ø2 mm spokes
- » Customer specified designs are available on request



For wheel size	Diameter	Weight	Part no. Transparent
20"/Ø451	Ø417	280	372031
22"/Ø489/Ø498	Ø460	300	372231
24"/Ø540	Ø505	330	372431
26"/Ø590	Ø555	455	372631

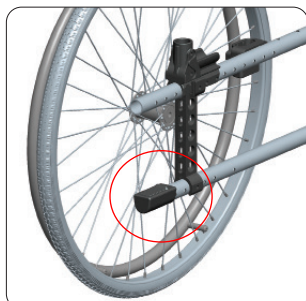


Clips for standard spoke guards

Description	Part no.
Pack of 500 clips – for Ø2 mm spokes	373002
Pack of 6 clips – for Ø2 mm spokes	373003

Various

Step pedal for wheelchairs



For tube mm	L x B	Part no.
Ø22	69,5 x 32mm	RPA140
Ø25,4	69,5 x 32mm	MBL109

» Material: black rubber

Spoke reflector



Description	Part no.
Spoke reflector	397509A

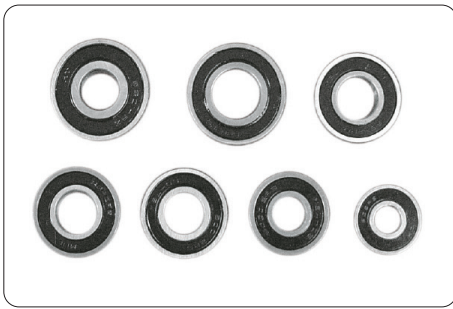


Angle adjustment joint

- » For Ø22 mm tubes
- » Grey or black
- » Material: PA + GF

Description	Part no. Black
Angle adjustment joint	PM001T

Bearings



Dimension (mm)	Type	Part no.
ø8 - Ø22 x 7	608 2RS	694001
ø10 - Ø26 x 8	6000 2RS	694014
ø12 - Ø28 x 8	6001 2RS	694024
ø12 - Ø1 1/8" x 5/16"	2RS	694030
ø1/2" - Ø28 x 8	2RS	694031
ø1/2" - Ø1 1/8" x 5/16"	R8 2RS	694032
ø12 - Ø32 x 10	6201 2RS	694041
ø15 - Ø32 x 9	6002 2RS	694045

Plastic caps



Description	Dimension mm	Part no. black
Soft cap for quick-release axles and aluminium hubs	Ø29	641005
Hard cap for fixed axles and steel hubs	Ø28,5	641010

Position locks



Description	Dimension	Figure	Part no.
Single position lock	M10 x 1	A	617001
Double position lock	M10 x 1	B	617011

Holder bracket for tubes Ø22 mm or Ø 25 mm



Description	Tube diameter mm	Part no. black
Holder bracket Ø 22 mm tube - can be used for umbrellas etc.	22	ROL24B
Holder bracket Ø 25 mm tube - can be used for umbrellas etc.	25	ROL24S

Would you like to see and learn more?

MBL website



Our videos on YouTube



Check our Facebook



Connect with us on LinkedIn



Connect with us on WeChat



Other product categories:

Front wheels 4"-8"



Rear wheels 12"-26"



Tyres, PU tyres, tubes , infills & tyres
w insert for manual wheelchairs 6"-26"



Pushrims & pushrim covers



Front forks & bearing housings



QR axles and bushings



Hand brakes, brake handles & release handles



Foam parts, supports & textiles



Tyres, tubes and tyres with infills
for power wheelchairs



MBL Denmark

MBL a/s

Glarmestervej 18 B, St. Th.

8600 Silkeborg

CVR: 12825242

contact@mbl.dk

MBL Poland

MBL Poland Sp. z o.o.

Sulejowska 45d

97-300 Piotrkow Trybunalski

VAT No: 7710008003

Tel: +48 44 73 24 100

contact@mbl.pl

MBL China

MBL (Xiamen) Co. Ltd.

No.289 Wengjiao Road Xinyang

Industrial District Haicang

361022 Xiamen

Tel: +86 592 5961 896

contact@mbl.com.cn

March 2026