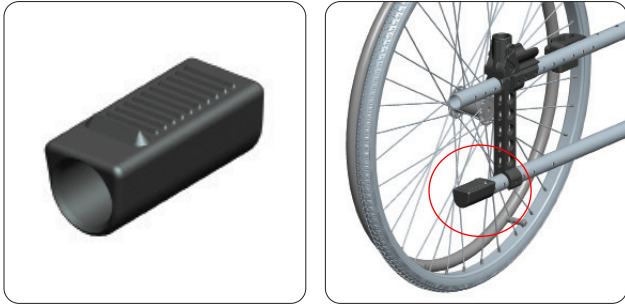


Various

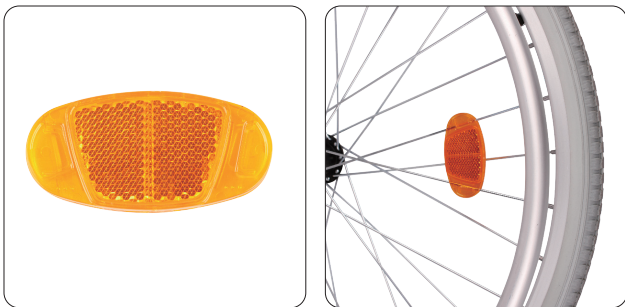
Step pedal for wheelchairs



For tube mm	L x B	Part no.
Ø22	69,5 x 32mm	RPA140
Ø25,4	69,5 x 32mm	MBL109

» Material: black rubber

Spoke reflector



Description	Part no.
Spoke reflector	397509A

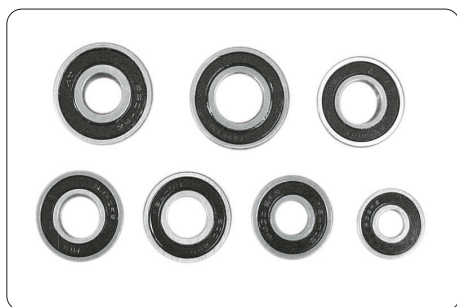


Angle adjustment joint

- » For Ø22 mm tubes
- » Grey or black
- » Material: PA + GF

Description	Part no. grey	Part no. Black
Angle adjustment joint	HP00JG	PM001T

Bearings



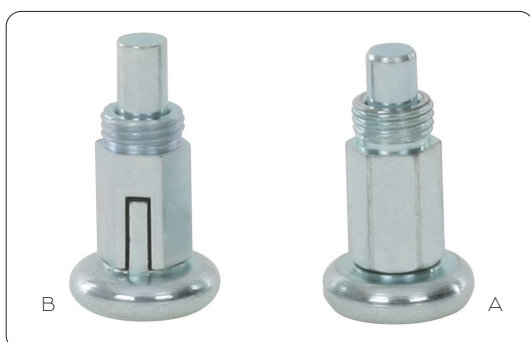
Dimension (mm)	Type	Part no.
ø8 - Ø22 x 7	608 2RS	694001
ø10 - Ø26 x 8	6000 2RS	694014
ø12 - Ø28 x 8	6001 2RS	694024
ø12 - Ø1 1/8" x 5/16"	2RS	694030
ø1/2" - Ø28 x 8	2RS	694031
ø1/2" - Ø1 1/8" x 5/16"	R8 2RS	694032
ø12 - Ø32 x 10	6201 2RS	694041
ø15 - Ø32 x 9	6002 2RS	694045

Plastic caps



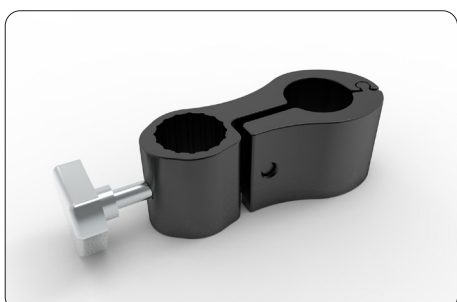
Description	Dimension mm	Part no. black
Soft cap for quick-release axles and aluminium hubs	Ø29	641005
Hard cap for fixed axles and steel hubs	Ø28,5	641010
Hard cap for fixed axles and 12" plastic rims	Ø32	641011
Hard cap for fixed axles and wheels with 32 mm bearings	Ø32,5	641013

Position locks



Description	Dimension	Figure	Part no.
Single position lock	M10 x 1	A	617001
Single position lock	M12 x 1	A	617002
Single position lock	M12 x 1.75	A	617003
Double position lock	M10 x 1	B	617011
Double position lock	M12 x 1	B	617012
Double position lock	M12 x 1.75	B	617013

Holder bracket for tubes Ø22 mm or Ø 25 mm



Description	Tune diameter mm	Part no. black
Holder bracket for Ø 22 mm tube - can be used for umbrellas etc.	22	ROL24B
Holder bracket for Ø 25 mm tube - can be used for umbrellas etc.	25	ROL24S